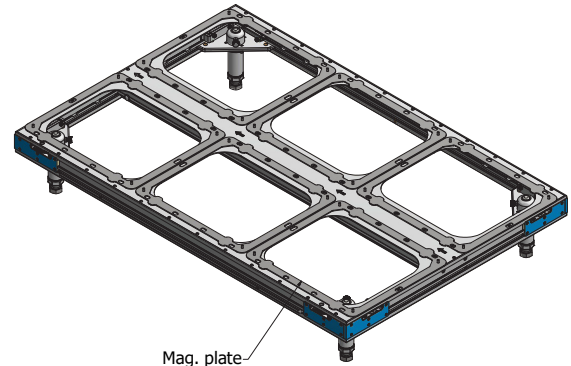
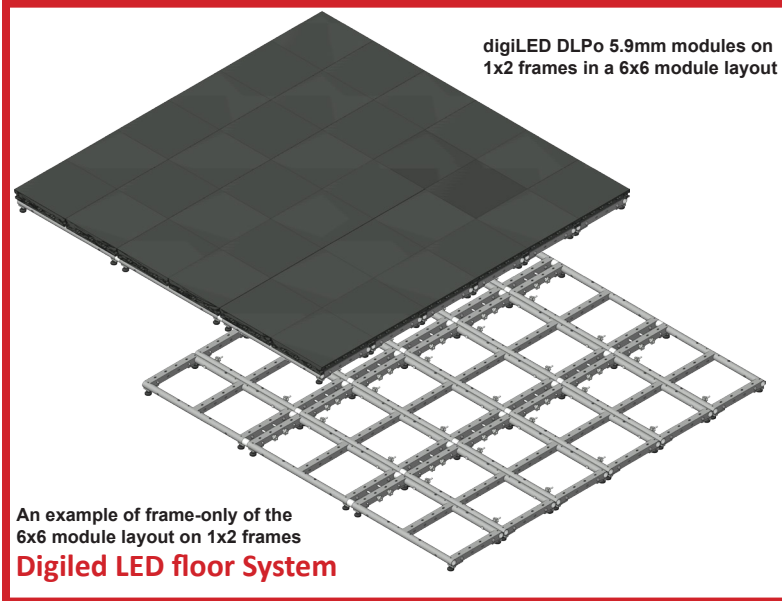




# digiled 5.9mm LED Floor

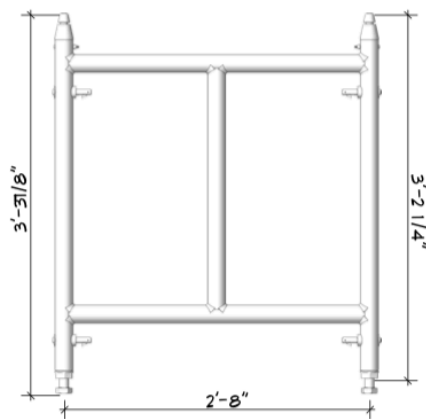
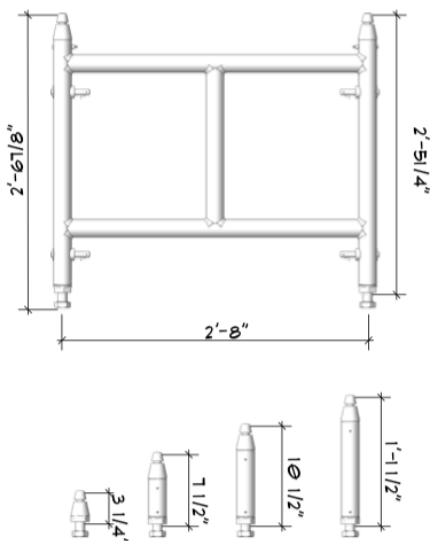
Outdoor LED Stage



## ACASS Floor System

### ACASS Interchangeable Legs for LED Floor Frame System

With the ACASS LED Floor Frame System, a system of legs are available to set the floor to a desired height. With interchangeable legs, the floor can go from a minimum height of 12" to a maximum height of 48".



Note: Drawings not to scale

Is an LED floor part of your upcoming design? Are you looking in to large - scale XR production? Control Video has multiple options for LED flooring to help your project stand out. Built as big a floor as you can imagine with our DLPi 5.9mm Panels outfitted with custom covers to allow talent to walk on top of the video.

For low lying floor, we offer the Digiled LED frame system which keeps the LED as close to the ground as possible while still providing space for ventilation.

Need the floor to be a stage as well? Our ACASS LED Stage solution (Right Picture) allows you to use its sturdy metal stage frames to elevate your stage up to a Maximum Heigh of 48".



301.277.3429  
hello@controlvideodc.com  
www.controlvideo.com